

Envelope Feeder Type 610 (G807)

Envelope Feeder Type 610 (G807)

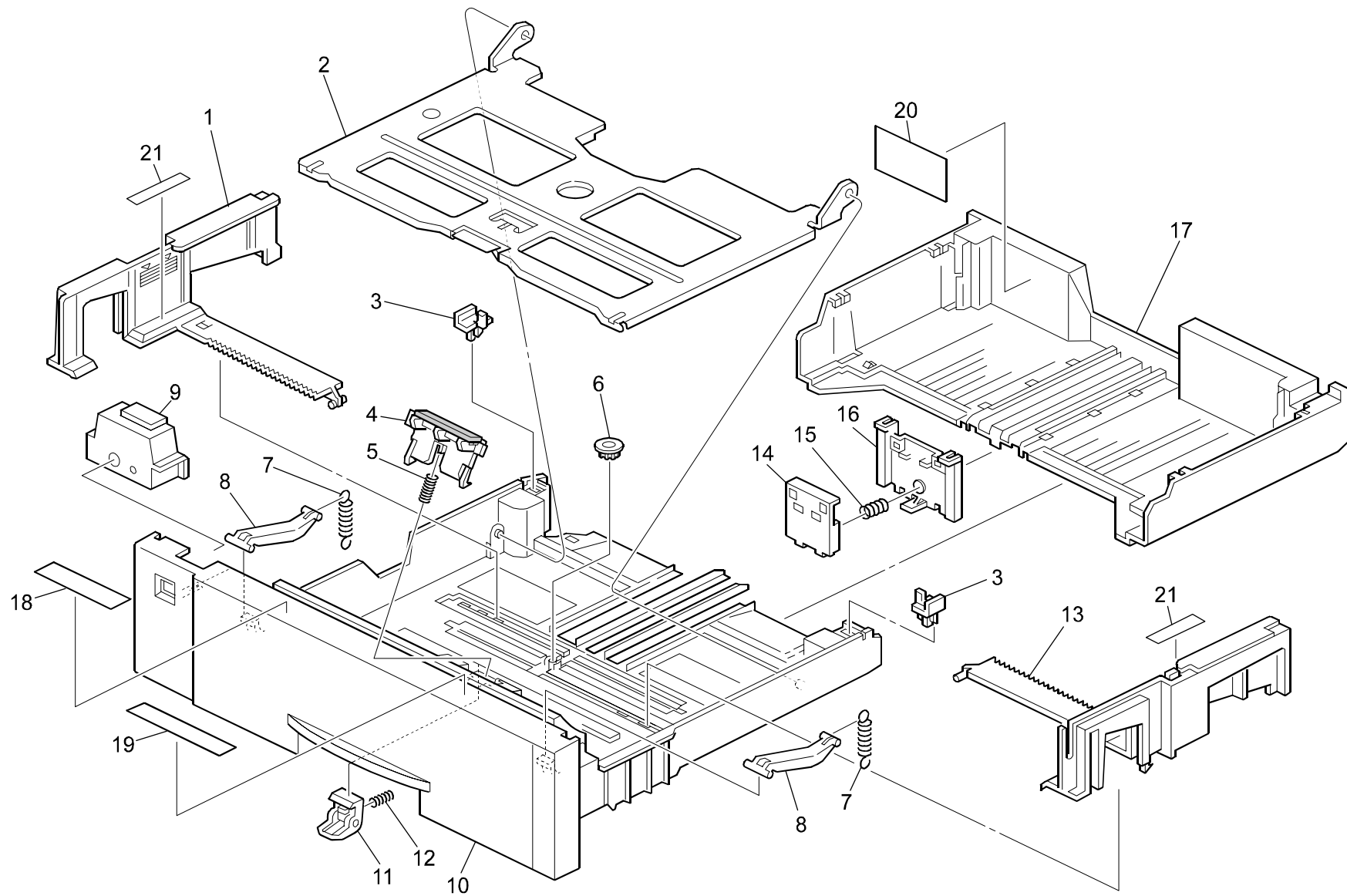
PARTS CATALOG

This catalog gives the numbers and names of parts on this machine.

1.Envelope Cassette (G807).....	2
Parts Index.....	6

November ,10 ' 2004

1.Envelope Cassette (G807)



1.Envelope Cassette (G807)

Index No.	Part No.	Description	Q'ty Per Assembly
1	G556 3061	Left Side Fence	1
2	G807 3057	Tray Bottom Plate	1
3	G029 2609	Cassette Protection	2
4	G556 3080	Friction Pad	1
5	G556 3069	Separation Spring	1
6	G800 3133	Side Fence Gear	1
7	G556 3066	Pressure Spring	2
8	G096 3071	Paper Tray Arm	2
9	G807 3082	Paper Size Detection Plate	1
10	G399 3051	Paper Tray - Front	1
11	G556 3059	Bottom Plate Stopper	1
12	G556 3078	Release Spring	1
13	G556 3062	Right Side Fence	1
14	G555 3075	End Fence	1
15	G555 3077	End Fence Spring	1
16	G555 3074	End Fence	1
17	G399 3052	Paper Tray - Rear	1
18	G807 3085	Label - Paper Tray : Operate 1	1
19	G807 3086	Label - Paper Tray : Operate 2	1
20	G807 3088	Scale Label - End Fence	1
21	G807 3087	Scale Label - Side Fence	2

Index No.	Part No.	Description	Q'ty Per Assembly

Parts Index

Parts Index

Part No.	Description	Page and Index No.
G807 3057	Tray Bottom Plate	3 - 2
G807 3082	Paper Size Detection Plate	3 - 9
G807 3085	Label - Paper Tray : Operate 1	3 - 18
G807 3086	Label - Paper Tray : Operate 2	3 - 19
G807 3087	Scale Label - Side Fence	3 - 21
G807 3088	Scale Label - End Fence	3 - 20

Part No.	Description	Page and Index No.
G029 2609	Cassette Protection	3 - 3
G096 3071	Paper Tray Arm	3 - 8
G399 3051	Paper Tray - Front	3 - 10
G399 3052	Paper Tray - Rear	3 - 17
G555 3074	End Fence	3 - 16
G555 3075	End Fence	3 - 14
G555 3077	End Fence Spring	3 - 15
G556 3059	Bottom Plate Stopper	3 - 11
G556 3061	Left Side Fence	3 - 1
G556 3062	Right Side Fence	3 - 13
G556 3066	Pressure Spring	3 - 7
G556 3069	Separation Spring	3 - 5
G556 3078	Release Spring	3 - 12
G556 3080	Friction Pad	3 - 4
G800 3133	Side Fence Gear	3 - 6